



GEMINI² MCU[™] Multiple Chemical Unit

GEMINI² MCU - GEMINI² MCU - GEMINI² MCU - GEMINI² MCU - GEMINI² MCU - GEMINI² MCU - GEMINI² MCU - GEMINI² MCU - GEMINI² MCU - GEMINI² MCU

STORE MULTIPLE CHEMICALS IN A SINGLE, MULTI-COMPARTMENT DUAL CONTAINMENT TANK.

NEW! Configure two, three, or four different liquids in one compact space, with 2 separate containment chambers that is as flexible as you need it to be. The new Gemini² MCU[™] (Multiple Chemical Unit) has individual primary Tanks available in 6 and 12-gallon sizes. Configure your tank with (2) 12-gallon tanks, (1) 12-gallon and (2) 6-gallon tanks or (4) 6-gallon tanks, all in one compact space. Great for Biocide/Inhibitor set-ups, Pool Chemical feed systems or any other application where you require multiple chemicals with limited space for storage.

An optional overhead PumpDeck[™] can be integrally mounted to the MCU[™] with room for up to 4 metering pumps. The PumpDeck[™] is designed to contain pump drips or minor spills that will drain back into the correct tank and can also be equipped with an alarm that will warn you of leaks in both the shelf and/ or the interstitial space before it's a problem.

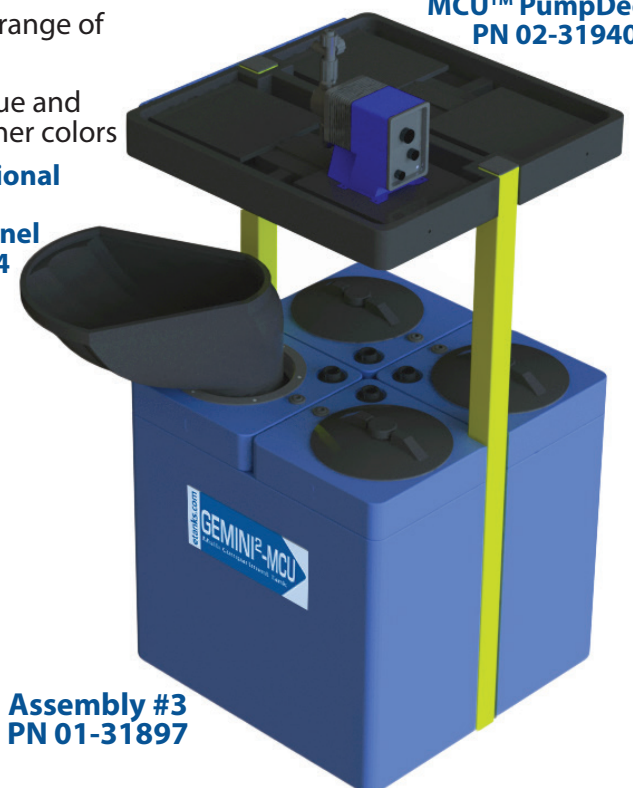
- Takes up only a 25" square footprint of space x 27" in height (excluding PumpDeck[™])
- Can be configured for 2, 3, or 4 containers
- An overhead PumpDeck[™] option is available
- Tank and PumpDeck[™] leak detection system is available with flashing strobe and audible alarm
- An optional funnel is also available for easy filling from a pail or carboy
- Available in LLDPE, XLPE, PPL or PVDF for a wide range of chemical compatibility
- Standard unit provided with a combination of blue and natural tanks for easy chemical identification; Other colors also available for each tank

Showing w/Optional
MCU[™] PumpDeck[™]
PN 02-31940

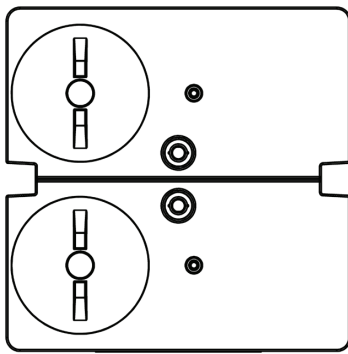
Assembly #2
PN 01-31896



Showing w/Optional
ProChem[™]
ClamShell Funnel
PN 02-31944



Assembly #3
PN 01-31897

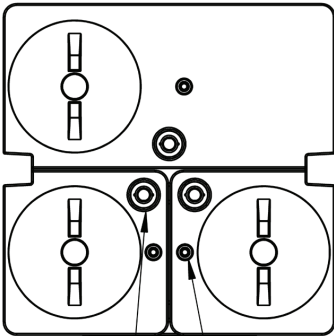


Assembly #1 PN 01-31895 | (2) 12 Gallon Tanks

Price with PumpDeck™ \$1061

Price without PumpDeck™ \$774

This model consists of (2) 12 Gallon Primary Tanks in Isolated Secondary Containment Chambers. Optional colors of each tank may be selected by part number below. For model with PumpDeck, add PumpDeck part number.



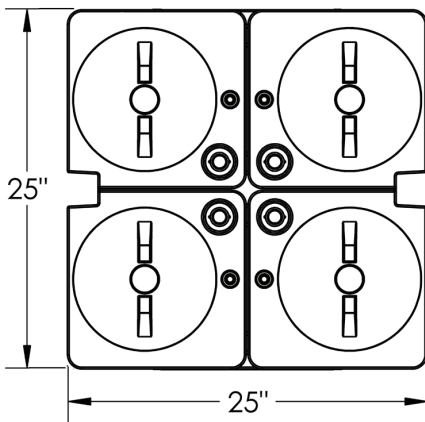
Assembly #2 PN 01-31896 | (1) 12 Gallon and (2) 6 Gallon Tanks

Price with PumpDeck™ \$1156

Price without PumpDeck™ \$869

This model consists of (1) 12 Gallon and (2) 6 Gallon Primary Tanks in (2) Isolated Secondary Containment Chambers. Optional colors of each tank may be selected by part number below. For model with PumpDeck, add PumpDeck part number.

SECONDARY TANK ACCESS PUMP SUCTION CONNECTION



Assembly #3 PN 01-31897 | (4) 6 Gallon Tanks

Price with PumpDeck™ \$1251

Price without PumpDeck™ \$964

This model consists of (4) 6 Gallon Primary Tanks in (2) Isolated Secondary Containment Chambers. Optional colors of each tank may be selected by part number below. For model with PumpDeck, add PumpDeck part number.

Don't forget to order your ProChem ClamShell Funnel for easy filling of your Gemini² MCU Tanks.

Individual MCU Tank and Component Part Numbers

Item	Blue	Natural	L x W x H	Wt (lbs)	List \$
MCU Outer Containment Tank	01-31894	01-31901	25" x 25" x 22"	38	\$396.00
MCU 12 Gallon Primary Tank	01-31891	01-31898	12.5" x 6.25" x 24"	14	\$189.00
MCU 6 Gallon Primary Tank Left	01-31892	01-31899	6.25" x 6.25" x 24"	7	\$142.00
MCU 6 Gallon Primary Tank Right	01-31893	01-31900	6.25" x 6.25" x 24"	7	\$142.00

Note: Other colors available. Call for details.

Optional Accessories

Item	Color	Wt (lbs)	Part #	List \$
MCU PumpDeck	Black	17	02-31940	\$287.00
MCU ClamShell 8" Funnel	Black	5	02-31944	\$59.00



Assembly #1
PN 01-31895



13435 Estelle Street, Corona, CA 92879 | ph: 951-734-7711 | fx: 951-734-4111
Sales@etanks.com | www.etanks.com

© 2015 Peabody Engineering & Supply, Inc. All rights reserved. G2MCU082015 Romans 8:28

DISTRIBUTED BY